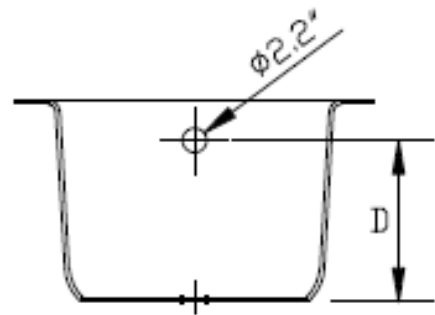
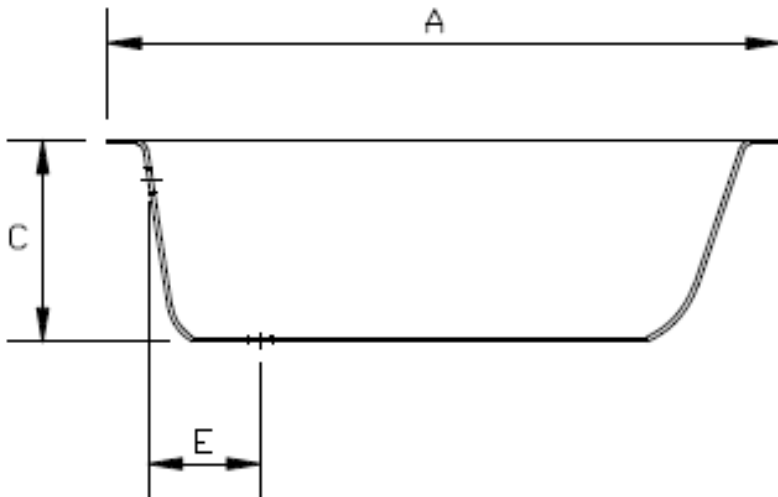
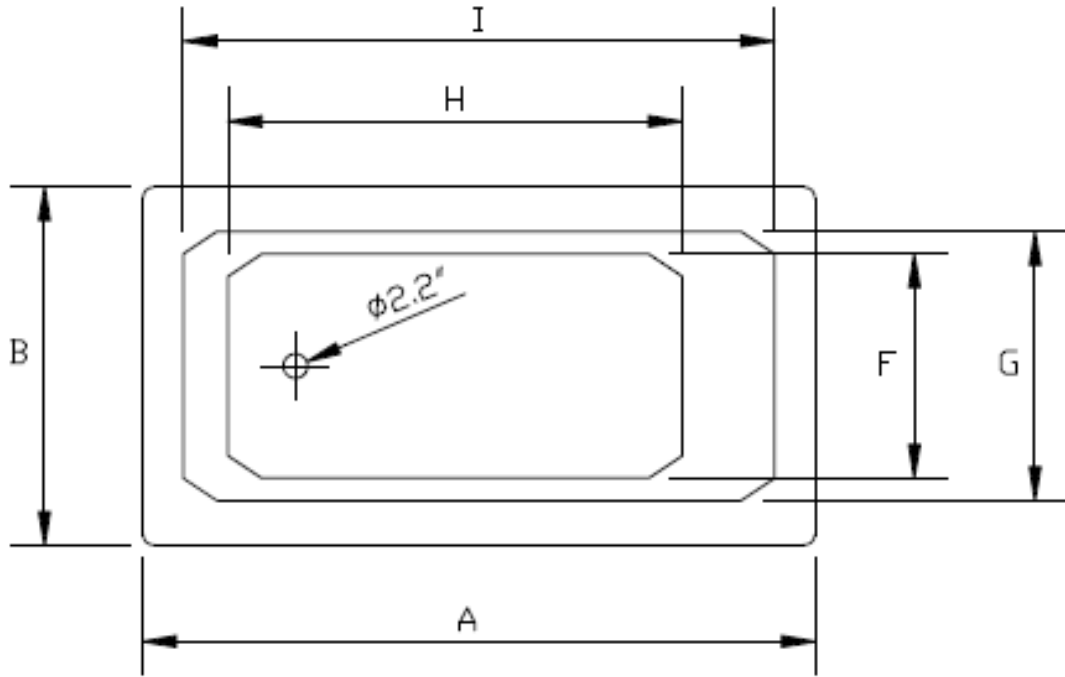


Tub Specifications – Cast Iron DROP IN TUB



	A	B	C	D	E	F	G	H	I	VOL/GAL	WGHT
P1031	60"	32"	18"	14 1/2"	9"	20"	24"	40 1/2"	52 3/4"	56	310 LB