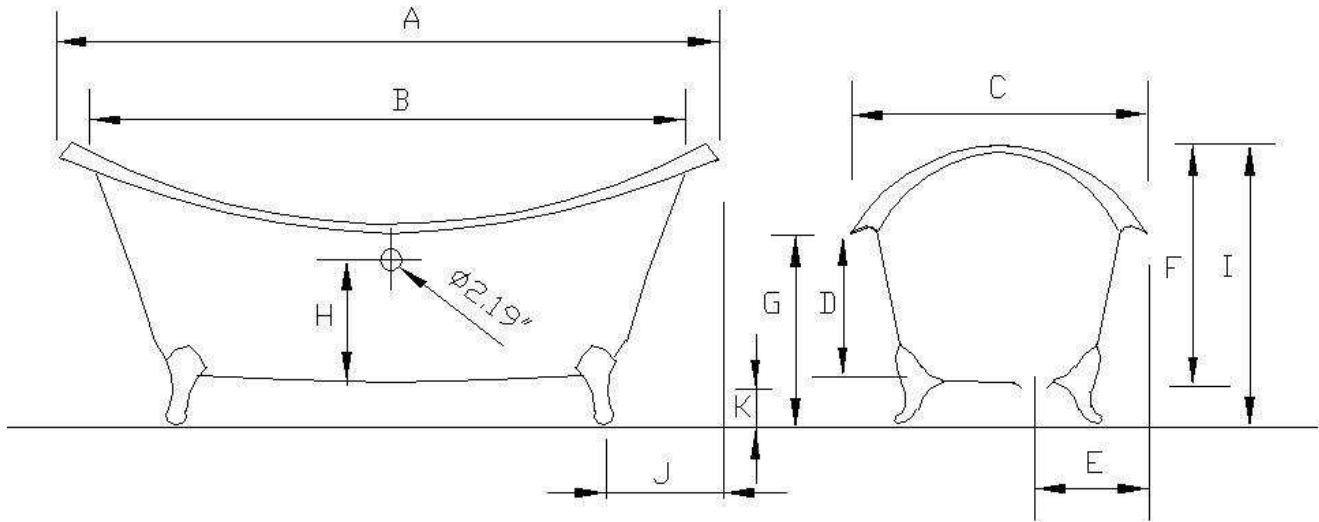
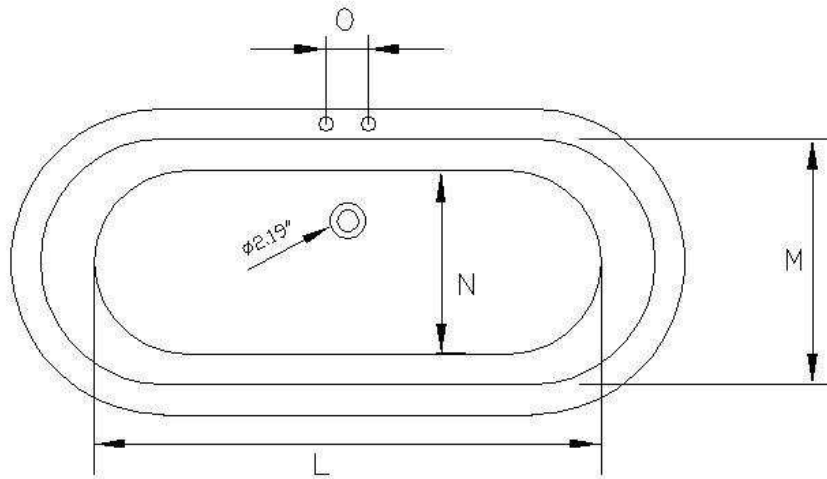


Tub Specifications – Acrylic Double Ended Crescent Tub on Legs



	A	B	C	D	E	F	G	H	I	J	K	L	M	N	O	VOL	WGHT
P0993	72"	66"	31.5"	15"	12"	25.7"	21.5"	13.7"	29.5"	20.75"	5.3"	34.6"	24"	15"	7"	68 GAL	226/388
P0994	72"	66"	31.5"	15"	12"	25.7"	21.5"	13.7"	29.5"	20.75"	5.3"	34.6"	24"	15"	7"	68 GAL	226/388
P0995	72"	66"	31.5"	15"	12"	25.7"	21.5"	13.7"	29.5"	20.75"	5.3"	34.6"	24"	15"	7"	68 GAL	218/380
P0996	72"	66"	31.5"	15"	12"	25.7"	21.5"	13.7"	29.5"	20.75"	5.3"	34.6"	24"	15"	7"	68 GAL	218/380