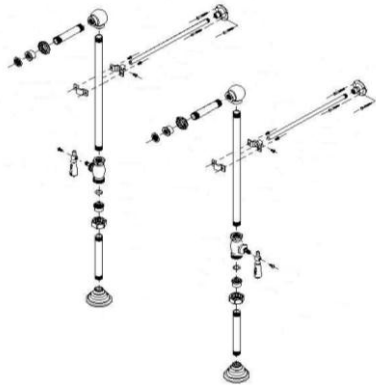


## Installation Information

### Item #P1020-28 Leg Tub Shower Enclosure Unit

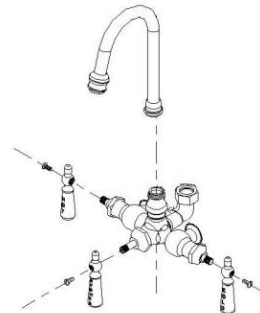
Warranted only if installed by a qualified licensed plumber.

#### Step 1 – Installation of Supply Set -P0641-28



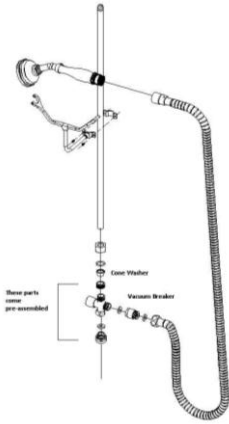
1. Note the rough-in centers for these supply lines are determined by the centers of the faucet they are being installed on. This faucet unit has 3 3/8" centers.
2. Dry assemble parts as shown to test height and position of valves for your installation. Please assure that the union connection on the shut off valve should be towards the floor.
3. Rough-in 1/2" IPS Female connection at the floor about 1/2" above the finished floor. First determine how far from the tub the rough-in should be according to the final placement needed for the faucet.
4. After all positions and height has been determined, begin assembly from the floor using a clear two part epoxy at all the threaded connections. This will insure a waterproof seal with a clean and quick permanent installation. Use a strap wrench or protected/smooth jaw wrench to protect the finished surface. Duct tape may also be wrapped around parts for further protection of scratches during installation.
5. Screw the bottom nipple into the 1/2" IPS Female connection, epoxy and tighten. Slide the escutcheon over the nipple.
6. Epoxy and tighten the valve onto the top of the nipple.
7. Epoxy and tighten the upper pipe into the top of the valve.
8. Epoxy and tighten the ball to the top of the upper nipple.
9. Epoxy and tighten the 4" horizontal nipple into the ball.
10. Slide the faucet connection nut onto the upper pipe with the threads facing toward the faucet. Epoxy and tighten the union coupling onto the end of the upper pipe.
11. Measure the length of the wall support needed. The non-threaded end may be cut to fit your installation. Attach the wall escutcheon to the wall. Insert rod into escutcheon and tighten set screw. Thread on the c-clamp to the rod and then clamp to riser tube.

#### Step 2: Installation of Faucet – P0400



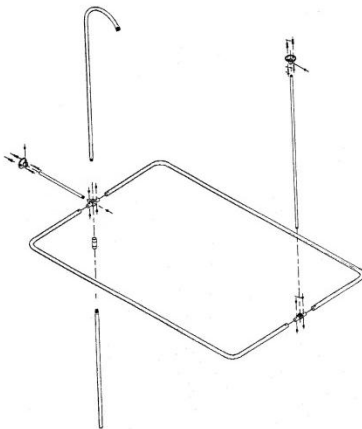
12. Tighten faucet connection nut and washer to faucet body to secure to the Supply Lines.
13. Attach the spout and tighten the hold down nut to hold in place.
14. Attach the handles with the screws provided.
15. Remove the aerator from the end of the spout and turn on the water supply to flush the hot and cold lines until the water is clear.
16. Make no adjustments to valves or valve stems. They are tested at the factory for optimum performance.

### Step 3 – Installation of P0156 Handheld Unit



17. The diverter kit includes bushings and adapters to fit a  $\frac{3}{4}$ " IPS Male fitting on the faucet.
18. Attach the diverter to the faucet Male IPS fitting.
19. Remove the top  $\frac{3}{4}$ " nut and cone washer from the diverter. Slip the nut onto the bottom end of the  $\frac{5}{8}$ " OD riser and then push the cone washer up onto the riser leaving  $\frac{1}{4}$ " of the bottom of the riser exposed. The tapered end of the cone washer points down.
20. Holding the riser in a vertical position, tighten the nut onto the diverter compressing the cone washer.
21. Attach the c-clamp of the handheld cradle to the riser at your desired height.
22. Attach the nut end of the hose to the vacuum breaker that is installed on the outlet of the diverter.
23. Attach the tapered end of the hose to the handheld shower handle. Rest the handheld on the cradle.

### Step 4: Installation of Shower Riser, Enclosure and Shower Head – P0008EXT, P0009 & P0010



24. First slip the wall tee onto the shower riser about 10" below the crook in the riser. Only tighten slightly as later an adjustment will

most likely be necessary. Connect portions of the riser with the union nut.

25. Put the riser nut and cone washer onto the end of the riser leaving about  $\frac{1}{4}$ " of riser showing at the riser end.
26. Install the riser onto the faucet, making sure that the riser is fully inserted into the female portion of the faucet and thread on the nut to the faucet connection compressing the cone washer.
27. Two people are needed for the remaining steps. Take one of the halves of the shower ring and slip it onto the wall tee. Be certain that the threaded hole is towards the outside of the ring. Insert screws and tighten.
28. Take the ceiling tee and slip the free ends of the shower ring over this part. Be certain that the threaded hole is towards the top of the ring.
29. After measuring the proper length that the wall and ceiling braces need to be, cut these pieces off at the unthreaded end to the desired length. **DO NOT TAKE THE THREADED PORTIONS OF THE BRACES INTO ACCOUNT WHEN MEASURING THE BRACES.**
30. Install the escutcheons onto the wall and ceiling in their proper positions.
31. Very carefully screw ceiling braces firmly into the ceiling tee. Take care not to flex this joint a great deal. As you then install the ceiling braces into the ceiling escutcheon and tighten the screw, someone must hold steadily the other end of the shower ring to reduce flex.
32. Very carefully screw the wall brace firmly into the wall tee and do not allow the joint to flex. You may now adjust the wall tee to the desired height on the riser. Install the wall brace into the wall escutcheon and tighten the screw.
33. Thread on your shower head to the riser using Teflon tape on threads.

